

**CHICAGO
FAUCETS**

a Geberit company

2100 South Clearwater Drive
Des Plaines, IL 60018
Phone: 847-803-5000
Fax: 847-803-5454
www.chicagofaucets.com

FOR TECHNICAL ASSISTANCE
1-800-TEC-TRUE (1-800-832-8783)

ROUGH-IN

FITTING NO.

1-099-245JKABNF

SUBMITTED MODEL NO.

BY: SID

DATE: 02-18-14

CHK: *[Signature]*

REV:

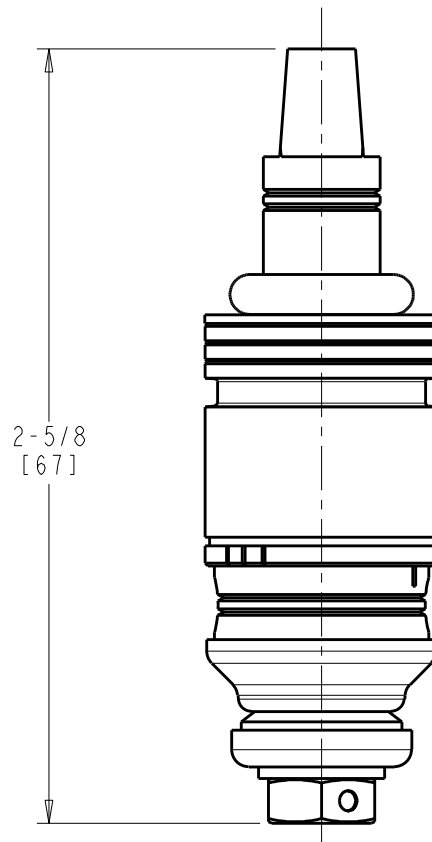
SUBMITTED AS SHOWN

SUBMITTED AS NOTED

SEE ATTACHED FOR
SUBMITTED MODIFICATION

JOB NAME

ITEM NO.



DIMENSIONS ARE IN INCHES AND [MILLIMETERS].

TECHNICAL DATA

- QUATURN FLO-CONTROL OPERATING CARTRIDGE
- MANUAL SHUT OFF
- ADJUSTABLE FLOW RATE OF 1.2 TO 2.0 GPM @ 50 PSI
- RIGHT HAND
- FINISH: NO FINISH

ROUGHING IN DIMENSIONS MAY VARY AND ARE SUBJECT TO CHANGE. NO RESPONSIBILITY IS ASSUMED FOR USE OF SUPERCEDED OR VOIDED DATA.