

JOB NAME

ITEM NO.

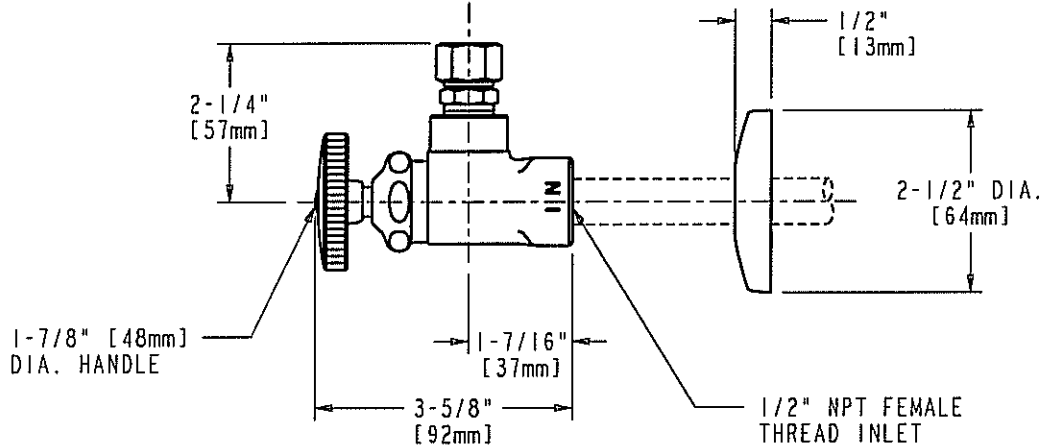
SUBMITTED AS SHOWN

SUBMITTED AS NOTED

SEE ATTACHED FOR  
SUBMITTED MODIFICATION

NOTE: ALL DOTTED LINE  
PIPING SUPPLIED BY OTHERS

1/2" [12.7mm] O.D.  
X 12" [305mm] LG.  
NOMINAL FLEXIBLE  
SUPPLY RISER



DIMENSIONS IN INCHES AND [MILLIMETERS].

TECHNICAL DATA

- ANGLE SROP FITTING WITH SUPPLY TUBE
- 318 WHEEL HANDLE
- SLO-COMPRESSION CARTRIDGE
- FINISH: CHROME PLATE

- 1/2" NPT FEMALE THREAD INLET
- 1/2" [12.7] O.D. COMP. OUTLET
- ANSI A112.18.1 COMPLIANT
- CSA B125 COMPLIANT
- NSF 61 COMPLIANT

DATE: 9-25-02

BY: JAR

CHK'D: *SLD*

APP'D:

REV: A

1004

ROUGHING IN DIMENSIONS MAY VARY AND ARE SUBJECT TO CHANGE. NO RESPONSIBILITY IS ASSUMED FOR USE OF SUPERCEDED OR VOIDED DATA.