

CHICAGO FAUCETS
a Geberit company

2100 South Clearwater Drive
Des Plaines, IL 60018
Phone: 847-803-5000
Fax: 847-803-5454
www.chicagofaucets.com

ROUGH-IN

FITTING NO.

1006-MMCP

SUBMITTED MODEL NO.

FOR TECHNICAL ASSISTANCE
1-800-TEC-TRUE (1-800-832-8783)

BY: JAR DATE: 11-27-07

CHK: *JAR* REV:

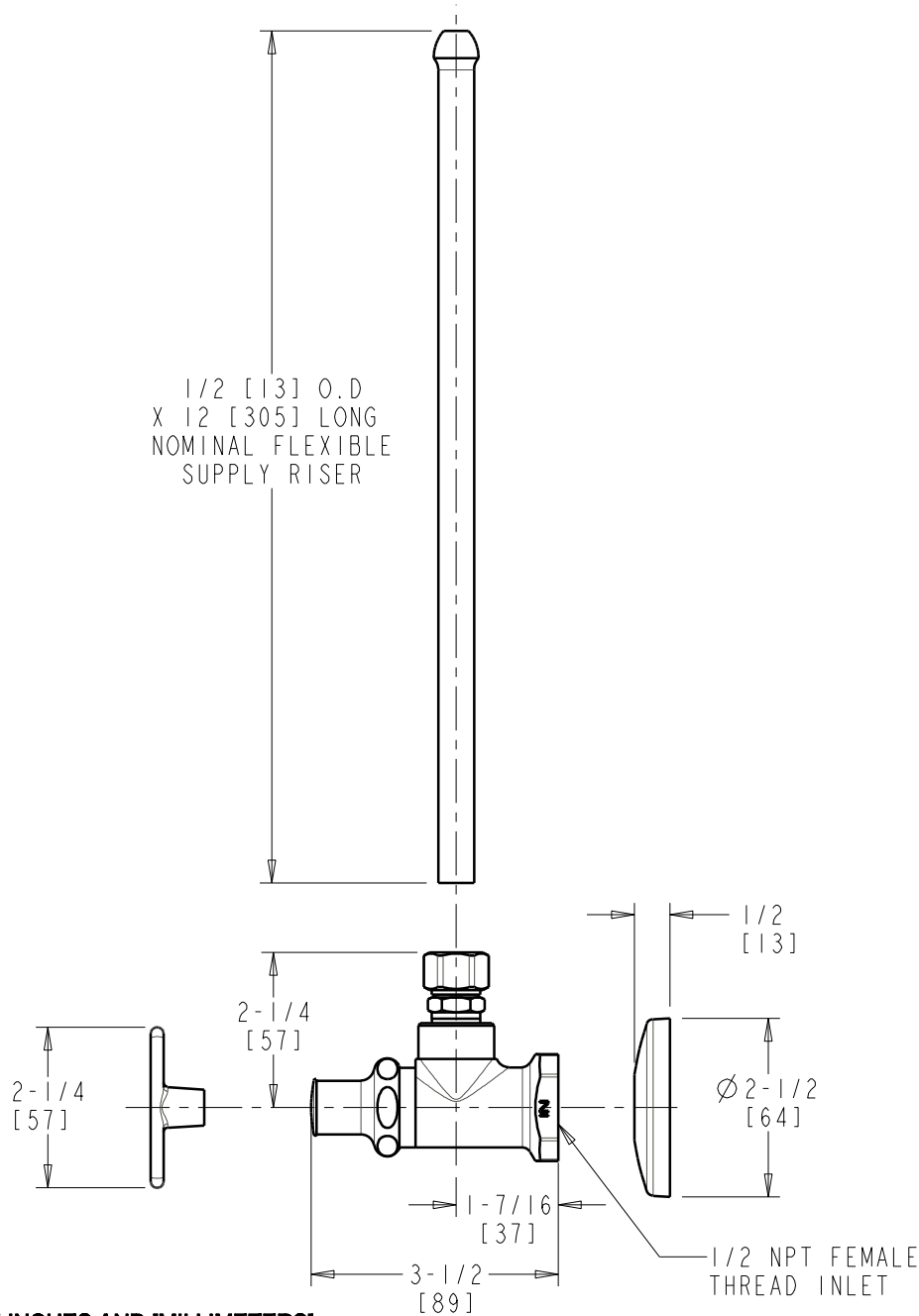
SUBMITTED AS SHOWN

SUBMITTED AS NOTED

SEE ATTACHED FOR
SUBMITTED MODIFICATION

JOB NAME

ITEM NO.



DIMENSIONS ARE IN INCHES AND [MILLIMETERS].

TECHNICAL DATA

- ANGLE STOP FITTING WITH SUPPLY TUBE
- 293-006 LOOSE KEY TEE HANDLE
- SLO-COMPRESSION METAL TO METAL OPERATING CARTRIDGE
- WALL FLANGE
- FINISH: CHROME PLATE
- 1/2 NPT FEMALE THREAD INLET
- 1/2 [13] O.D. COMPRESSION OUTLET
- ASME A112.18.1/CSA B125.1 COMPLIANT
- NSF/ANSI 61 COMPLIANT

ROUGHING IN DIMENSIONS MAY VARY AND ARE SUBJECT TO CHANGE. NO RESPONSIBILITY IS ASSUMED FOR USE OF SUPERCEDED OR VOIDED DATA.