

JOB NAME

ITEM NO.

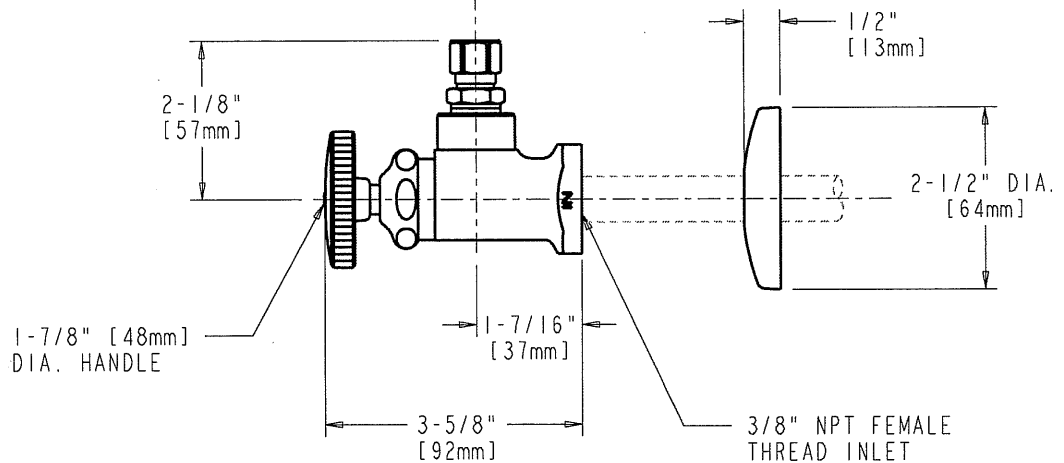
SUBMITTED AS SHOWN

SUBMITTED AS NOTED

SEE ATTACHED FOR  
 SUBMITTED MODIFICATION

NOTE: ALL DOTTED LINE  
 PIPING SUPPLIED BY OTHERS

3/8" [9.5mm] O.D.  
 X 12" [305mm] LG.  
 NOMINAL FLEXIBLE  
 SUPPLY RISER



TECHNICAL DATA

- ANGLE STOP FITTING WITH SUPPLY TUBE
- 318 WHEEL HANDLE
- SLO-COMPRESSION CARTRIDGE
- FINISH: CHROME PLATE

- 3/8" [9.5mm] O.D. COMP. OUTLET
- ANSI A112.18.1M COMPLIANT
- CSA B125 COMPLIANT
- NSF 61 COMPLIANT

DATE: 01-17-07

BY: SID

CHK'D:

APP'D: *[Signature]*

REV: