

# CHICAGO FAUCETS

Last As Long As The Building

2100 SOUTH CLEARWATER DRIVE  
DES PLAINES, ILLINOIS 60018-5999

FITTING NO.

1029

SUBMITTED MODEL NO.

JOB NAME

ITEM NO.

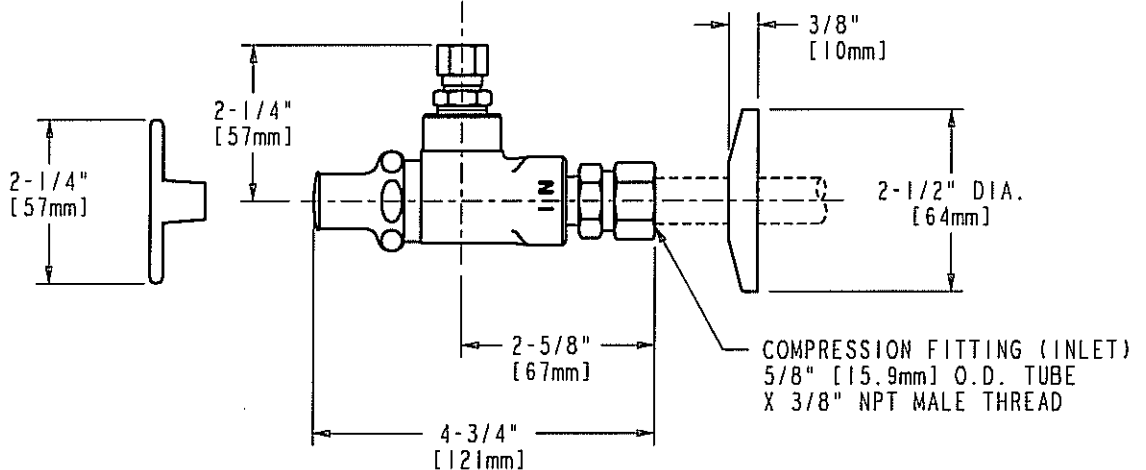
SUBMITTED AS SHOWN

SUBMITTED AS NOTED

SEE ATTACHED FOR  
SUBMITTED MODIFICATION

NOTE: ALL DOTTED LINE  
PIPING SUPPLIED BY OTHERS

3/8" [9.5mm] O.D.  
X 12" [305mm] LG.  
NOMINAL FLEXIBLE  
SUPPLY RISER



COMPRESSION FITTING (INLET)  
5/8" [15.9mm] O.D. TUBE  
X 3/8" NPT MALE THREAD

DIMENSIONS IN INCHES AND [MILLIMETERS].

TECHNICAL DATA

- ANGLE STOP FITTING WITH SUPPLY TUBE
- 293-6 LOOSE KEY HANDLE
- SLO-COMPRESSION CARTRIDGE
- FINISH: CHROME PLATE

- 5/8" [15.9mm] O.D. COMP. INLET
- 3/8" [9.5] O.D. COMP. OUTLET
- ANSI A112.18.1M COMPLIANT
- CSA B125 COMPLIANT
- NSF 61 COMPLIANT

DATE: 9-25-02

BY: JAR

CHK'D: *[Signature]*

APP'D: *[Signature]*

REV: A

1029

ROUGHING IN DIMENSIONS MAY VARY AND ARE SUBJECT TO CHANGE. NO RESPONSIBILITY IS ASSUMED FOR USE OF SUPERCEDED OR VOIDED DATA.