

CHICAGO FAUCETS

2100 SOUTH CLEARWATER DRIVE
DES PLAINES, ILLINOIS 60018-5999

Last As Long As The Building

FITTING NO.

1769-PR

SUBMITTED MODEL NO.

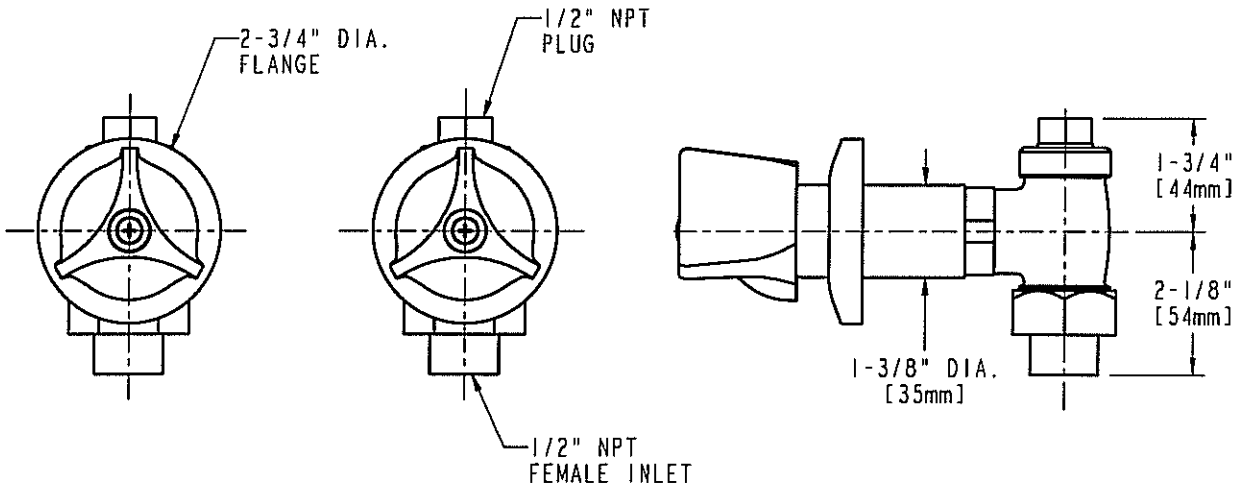
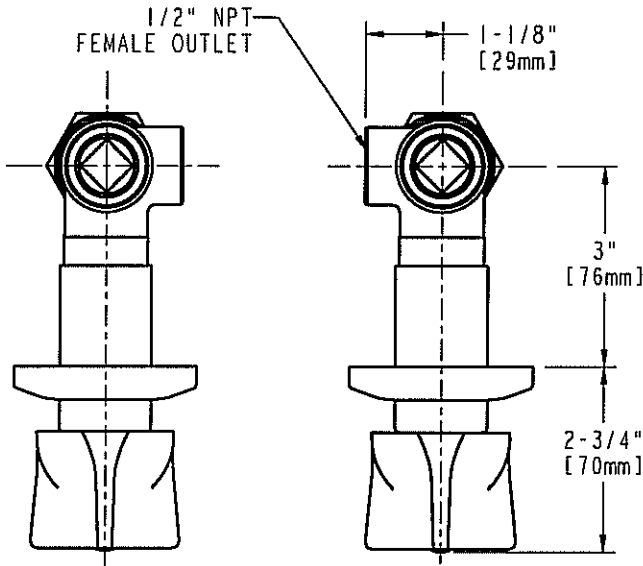
JOB NAME

ITEM NO.

SUBMITTED AS SHOWN

SUBMITTED AS NOTED

SEE ATTACHED FOR
SUBMITTED MODIFICATION



DIMENSIONS IN INCHES AND [MILLIMETERS].

TECHNICAL DATA

- BUILT IN STRAIGHTWAY VALVE WITH SIDE OUTLET
- 950 3-WING INDEXED HANDLES
- SLO-COMPRESSION OPERATING CARTRIDGES
- FINISH: CHROME PLATE

DATE: 12-17-02

BY: JAR

CHK'D: *SL*

APP'D:

REV: A

1769-PR

ROUGHING IN DIMENSIONS MAY VARY AND ARE SUBJECT TO CHANGE. NO RESPONSIBILITY IS ASSUMED FOR USE OF SUPERCEDED OR VOIDED DATA.