

CHICAGO FAUCETS



2100 SOUTH CLEARWATER DRIVE
DES PLAINES, ILLINOIS 60018-5999

1771-C

SUBMITTED MODEL NO.

Last As Long As The Building

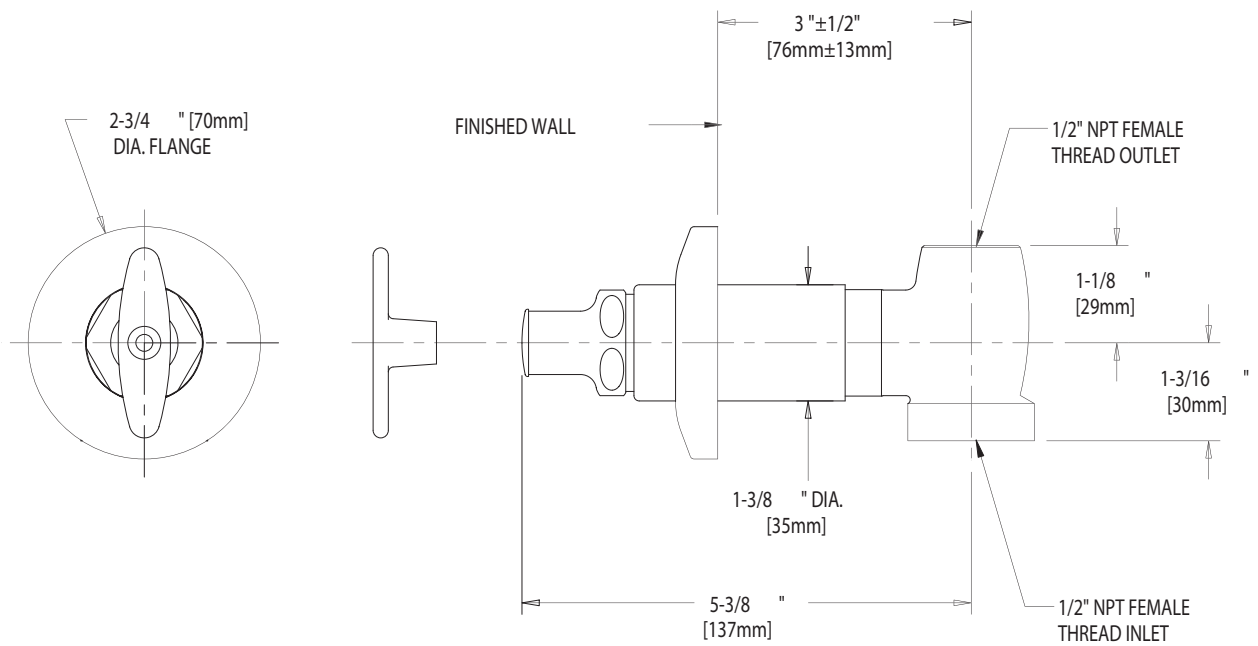
JOB NAME

ITEM NO.

SUBMITTED AS SHOWN	
SUBMITTED AS NOTED	
SEE ATTACHED FOR SUBMITTED MODIFICATION	

IS ASSUMED FOR USE OF SUPERCEDED OR VOIDED DATA.

ROUGHING IN DIMENSIONS MAY VARY AND ARE SUBJECT TO CHANGE. NO RESPONSIBILITY



DIMENSIONS IN INCHES AND [MILLIMETERS].

TECHNICAL DATA	
<ul style="list-style-type: none"> - CONCEALED STRAIGHT VALVE - 293-6 LOOSE KEY TEE HANDLE - SLO-COMPRESSION CARTRIDGE - INTEGRAL CHECK VALVE - FINISH: CHROME PLATE 	<ul style="list-style-type: none"> - ASME A112.18.1M - CSA B125 COMPLIANT

DATE:	5-2-02
BY:	JAR
CHK'D:	
APP'D:	
REV:	A

1771-C