

JOB NAME

ITEM NO.

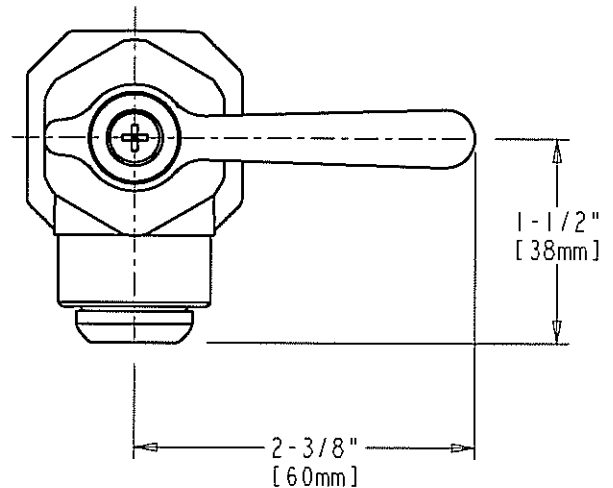
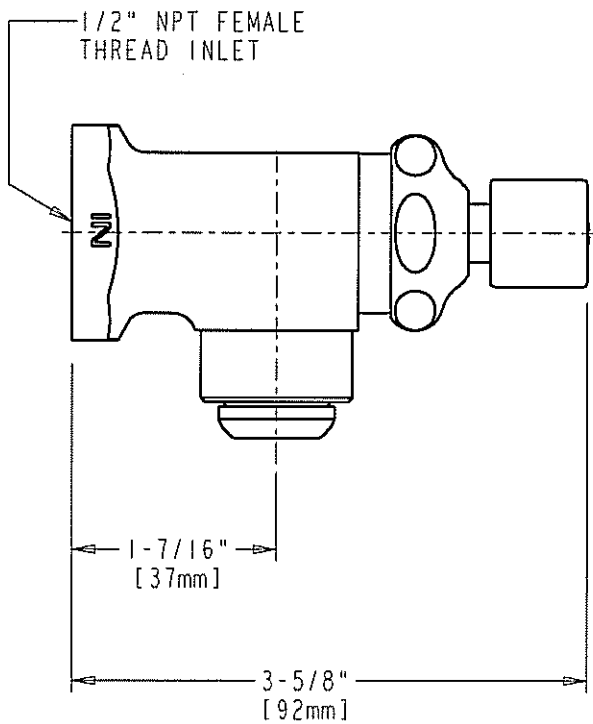
SUBMITTED AS SHOWN

SUBMITTED AS NOTED

SEE ATTACHED FOR  
SUBMITTED MODIFICATION



ADA COMPLIANT



TECHNICAL DATA

- ANGLE STOP VALVE
- 369 PLAIN INDEXED LEVER HANDLE
- SLOW COMPRESSION CARTRIDGE
- FINISH: CHROME PLATE

- EIM QUIXTOP OUTLET
- ASME A112.18.1M COMPLIANT
- CSA B125 COMPLIANT
- NSF 61 COMPLIANT

DATE: 02-09-06

BY: SID

CHK'D:

APP'D: *[Signature]*

REV:

442-369EIM

ROUGHING IN DIMENSIONS MAY VARY AND ARE SUBJECT TO CHANGE. NO RESPONSIBILITY IS ASSUMED FOR USE OF SUPERCEDED OR VOIDED DATA.