

ROUGHING IN DIMENSIONS MAY VARY AND ARE SUBJECT TO CHANGE. NO RESPONSIBILITY IS ASSUMED FOR USE OF SUPERCEDED OR VOIDED DATA.



2100 South Clearwater Drive  
Des Plaines, IL 60018  
Phone: 800-566-2100  
Fax: 847-803-5454  
www.geberitnorthamerica.com

**ROUGH-IN**

FITTING NO.

**509-GCTFABCP**

BY: SID DATE: 09-30-11

SUBMITTED MODEL NO.

CHK: [Signature] REV:

**FOR TECHNICAL ASSISTANCE**  
1-800-TEC-TRUE (1-800-832-8783)

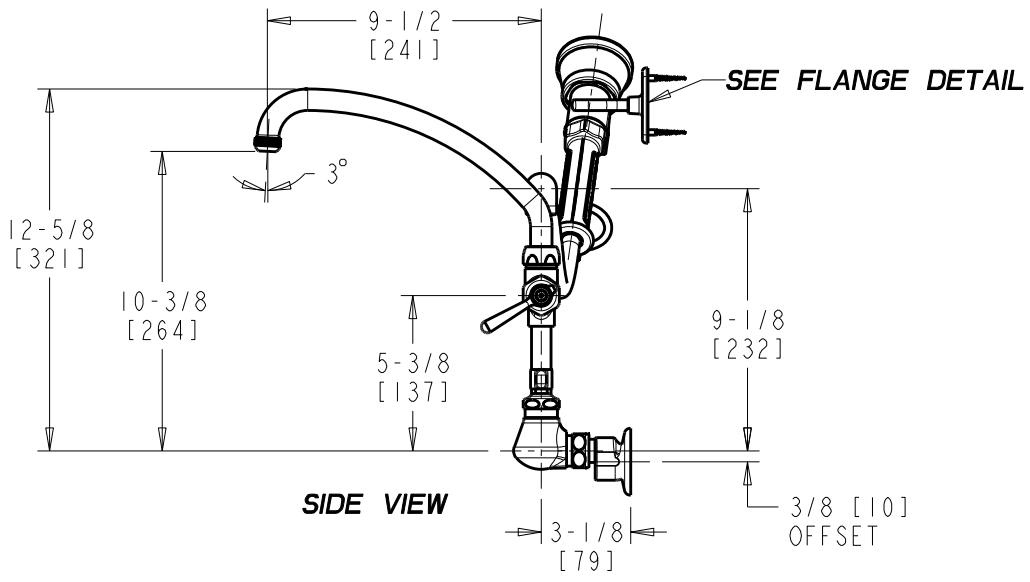
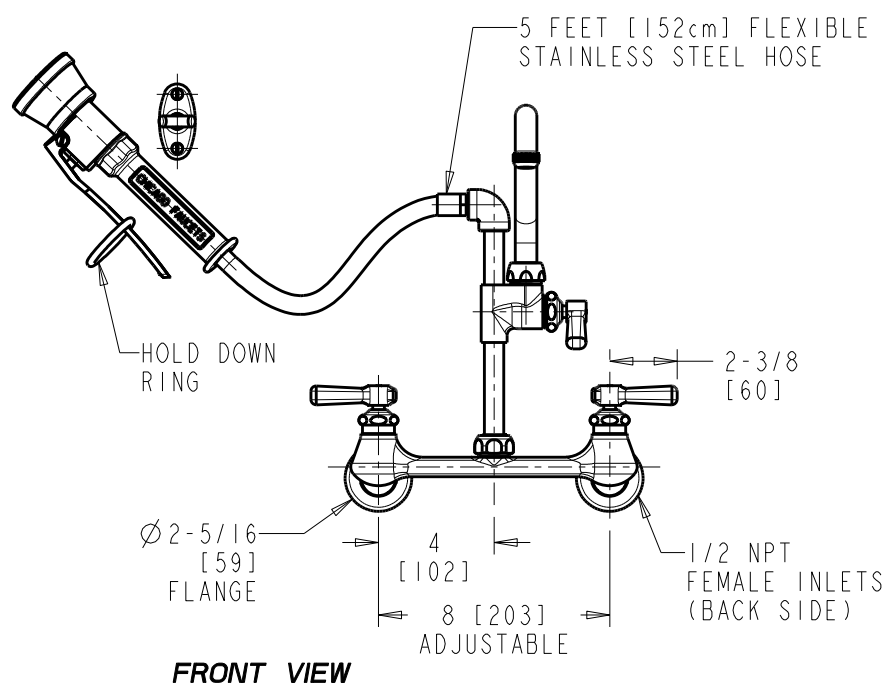
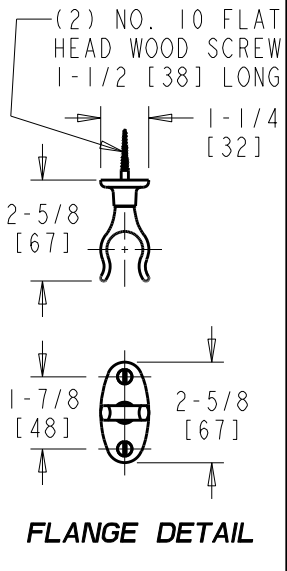
SUBMITTED AS SHOWN

SUBMITTED AS NOTED

SEE ATTACHED FOR  
SUBMITTED MODIFICATION

JOB NAME

ITEM NO.



DIMENSIONS ARE IN INCHES AND [MILLIMETERS].

**TECHNICAL DATA**

- WALL MOUNTED POT FILLER WITH PRE-RINSE SPRAY VALVE
- 613-A PRE-RINSE ADAPTA FAUCET
- 369 INDEXED LEVER HANDLES
- QUATURN OPERATING CARTRIDGES
- 'GC' OFFSET SUPPLY ARMS WITH INTEGRAL CHECK
- FINISH: CHROME PLATE
- 99TF TRIPLE FORCE PRE-RINSE SPRAY
- 5' [152cm] STAINLESS STEEL HOSE WITH INSULATED HANDLE
- ASME A112.18.1/CSA B125.1 COMPLIANT