

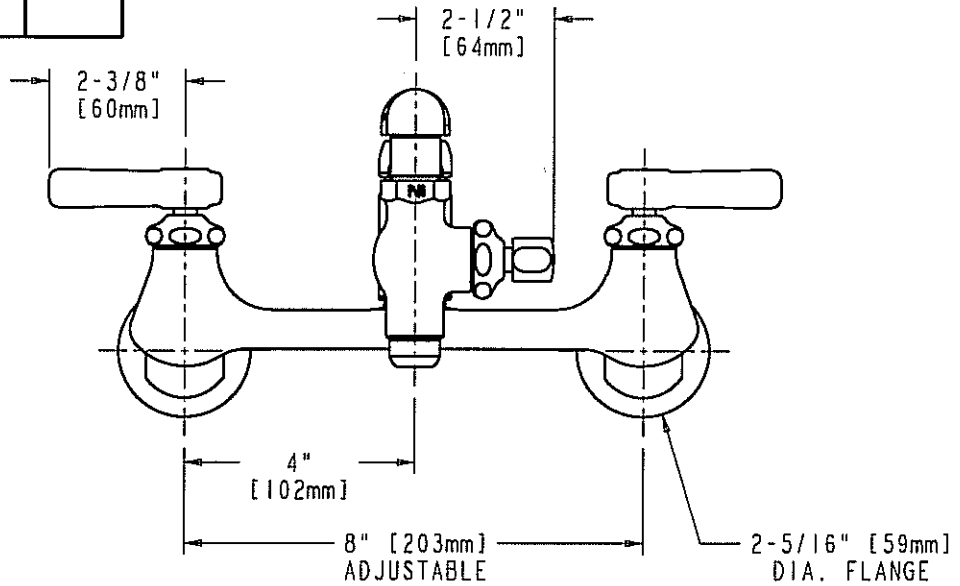
JOB NAME

ITEM NO.

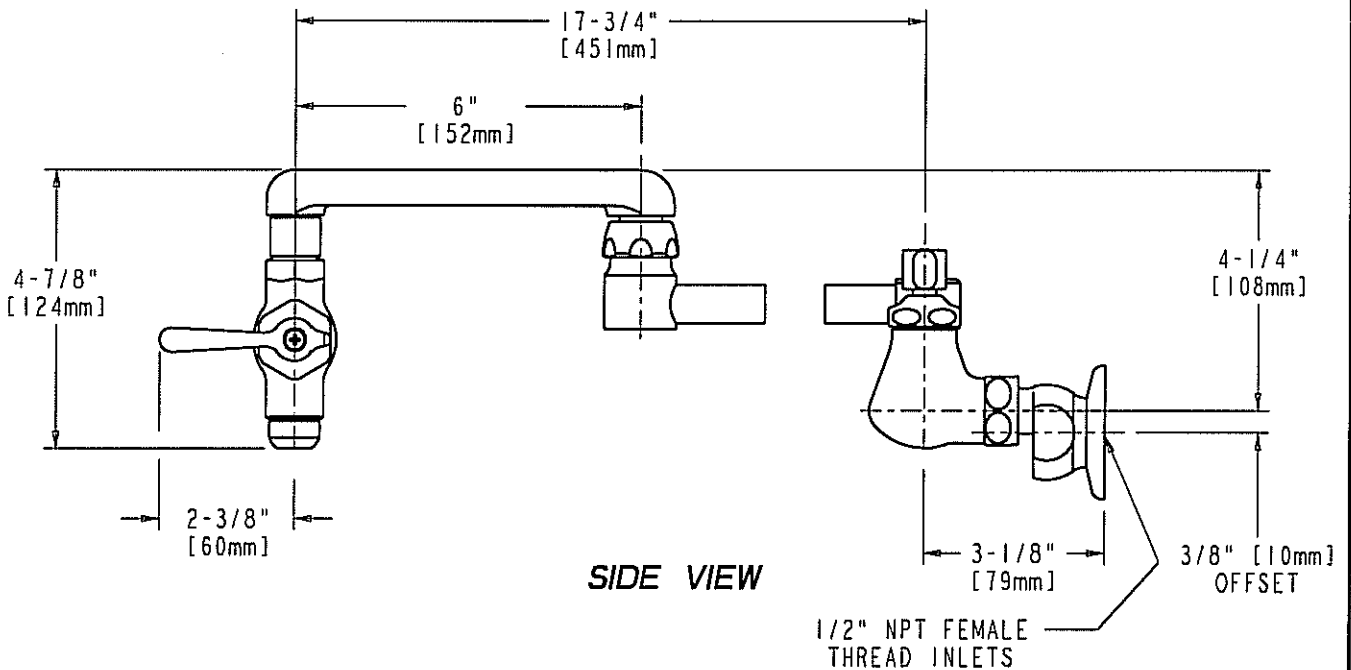
SUBMITTED AS SHOWN

SUBMITTED AS NOTED

SEE ATTACHED FOR
 SUBMITTED MODIFICATION



FRONT VIEW



SIDE VIEW

TECHNICAL DATA

- WALL MOUNTED KETTLE FILLER
- DJ18 DOUBLE JOINTED SWING SPOUT
- 369 INDEXED LEVER HANDLES
- QUARTN OPERATING CARTRIDGES
- 'GC' SUPPLY ARMS WITH INTEGRAL CHECKS
- FINISH: CHROME PLATE

- E31 STRAIGHTWAY STOP OUTLET
- 269 HEAT RESISTANT LEVER HANDLE
- ASME A112.18.1M COMPLIANT
- CSA B125 COMPLIANT
- NSF 61 COMPLIANT

DATE: 03-15-05

BY: SID

CHK'D:

APP'D: *AT*

REV: B

517-GC

ROUGHING IN DIMENSIONS MAY VARY AND ARE SUBJECT TO CHANGE. NO RESPONSIBILITY IS ASSUMED FOR USE OF SUPERCEDED OR VOIDED DATA.