

JOB NAME

ITEM NO.

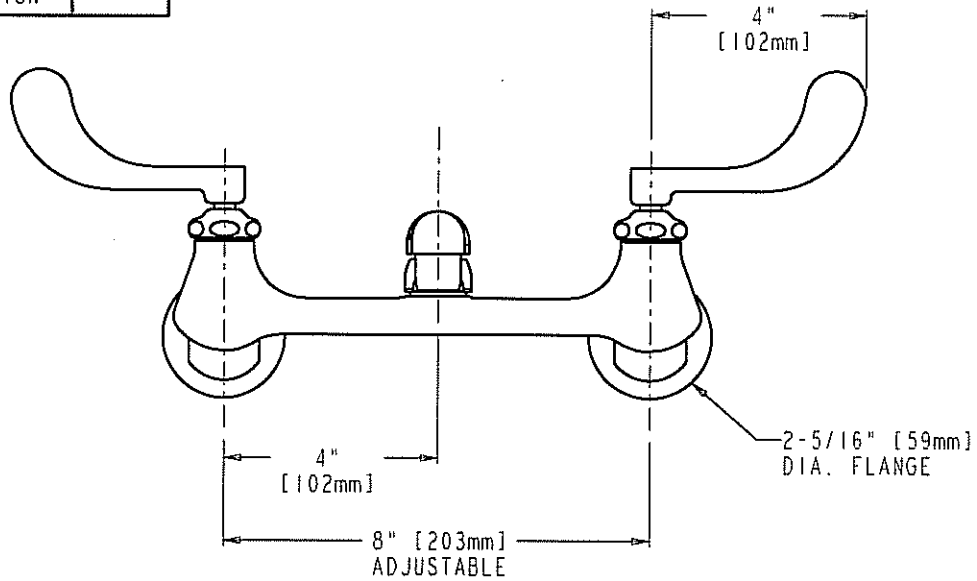
SUBMITTED AS SHOWN

SUBMITTED AS NOTED

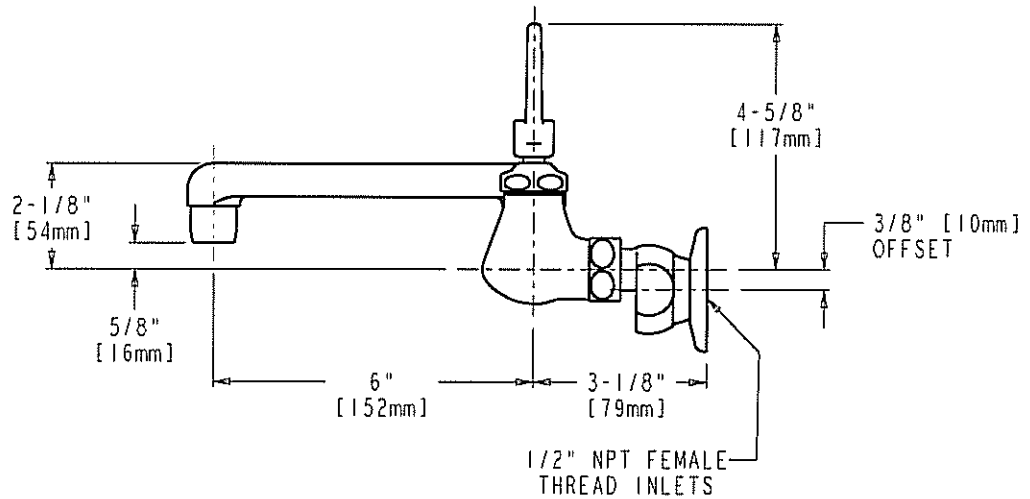
SEE ATTACHED FOR
SUBMITTED MODIFICATION



ADA COMPLIANT



FRONT VIEW



SIDE VIEW

TECHNICAL DATA

- WALL MOUNTED FITTING
- S6 CAST SWING SPOUT
- 317 INDEXED LEVER HANDLES
- QUATURN OPERATING CARTRIDGES
- 'G' ADJUSTABLE SUPPLY ARMS
- FINISH: CHROME PLATE

- E3 SOFTFLO AERATOR
- 2.2 GPM (8.3 L/min.) FLOW RATE
- ASME A112.18.1M COMPLIANT
- CSA B125 COMPLIANT
- NSF 61 COMPLIANT

DATE: 8-31-05

BY: JAR

CHK'D:

APP'D: *[Signature]*

REV: A

540-LD317

ROUGHING IN DIMENSIONS MAY VARY AND ARE SUBJECT TO CHANGE. NO RESPONSIBILITY IS ASSUMED FOR USE OF SUPERCEDED OR VOIDED DATA.