



a Geberit company

2100 South Clearwater Drive
Des Plaines, IL 60018
Phone: 847-803-5000
Fax: 847-803-5454
www.chicagofaucets.com

ROUGH-IN

FITTING NO.

814-SJKCP

SUBMITTED MODEL NO.

BY: SID

DATE: 03-30-11

CHK: *[Signature]*

REV:

FOR TECHNICAL ASSISTANCE
1-800-TEC-TRUE (1-800-832-8783)

SUBMITTED AS SHOWN

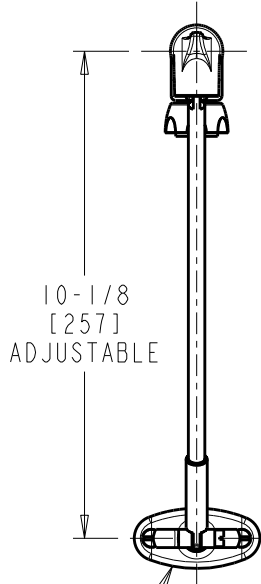
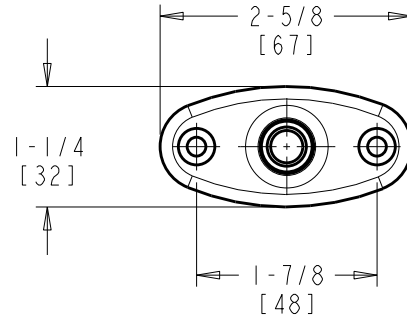
SUBMITTED AS NOTED

SEE ATTACHED FOR
SUBMITTED MODIFICATION

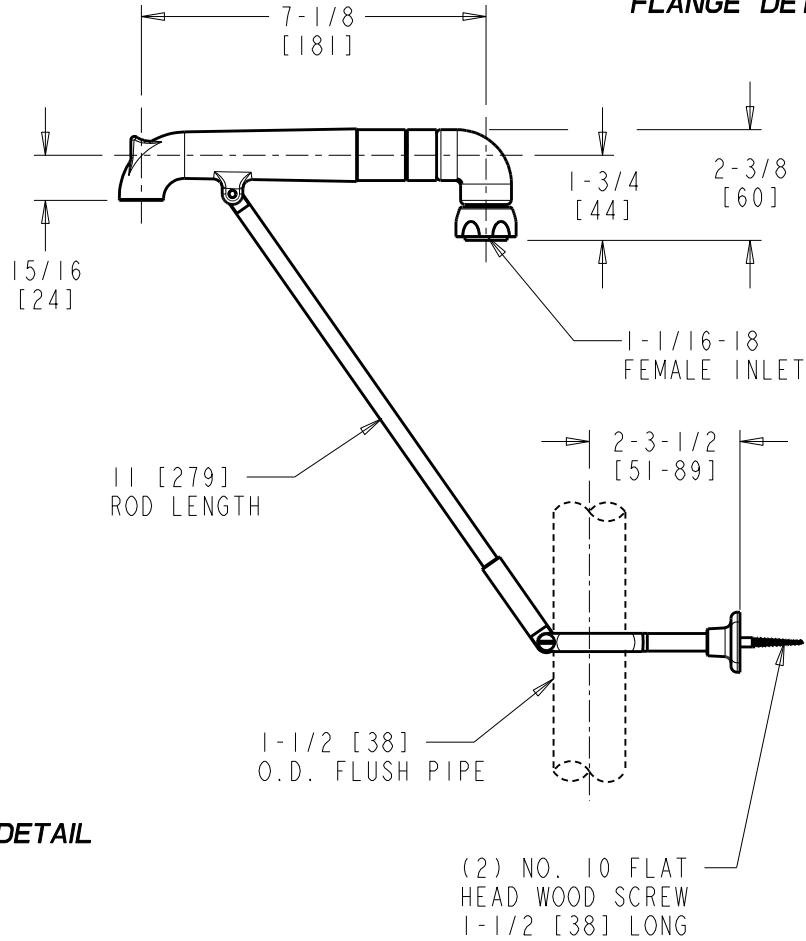
JOB NAME

ITEM NO.

ROUGHING IN DIMENSIONS MAY VARY AND ARE SUBJECT TO CHANGE. NO RESPONSIBILITY IS ASSUMED FOR USE OF SUPERCEDED OR VOIDED DATA.



SEE FLANGE DETAIL



DIMENSIONS ARE IN INCHES AND [MILLIMETERS].

TECHNICAL DATA

- RIGID SPOUT WITH BRACE ROD
- PIPE SUPPORT FOR 1-1/2" O.D. PIPE
- FINISH: CHROME PLATE