

ROUGHING IN DIMENSIONS MAY VARY AND ARE SUBJECT TO CHANGE. NO RESPONSIBILITY IS ASSUMED FOR USE OF SUPERCEDED OR VOIDED DATA. (0192-1)



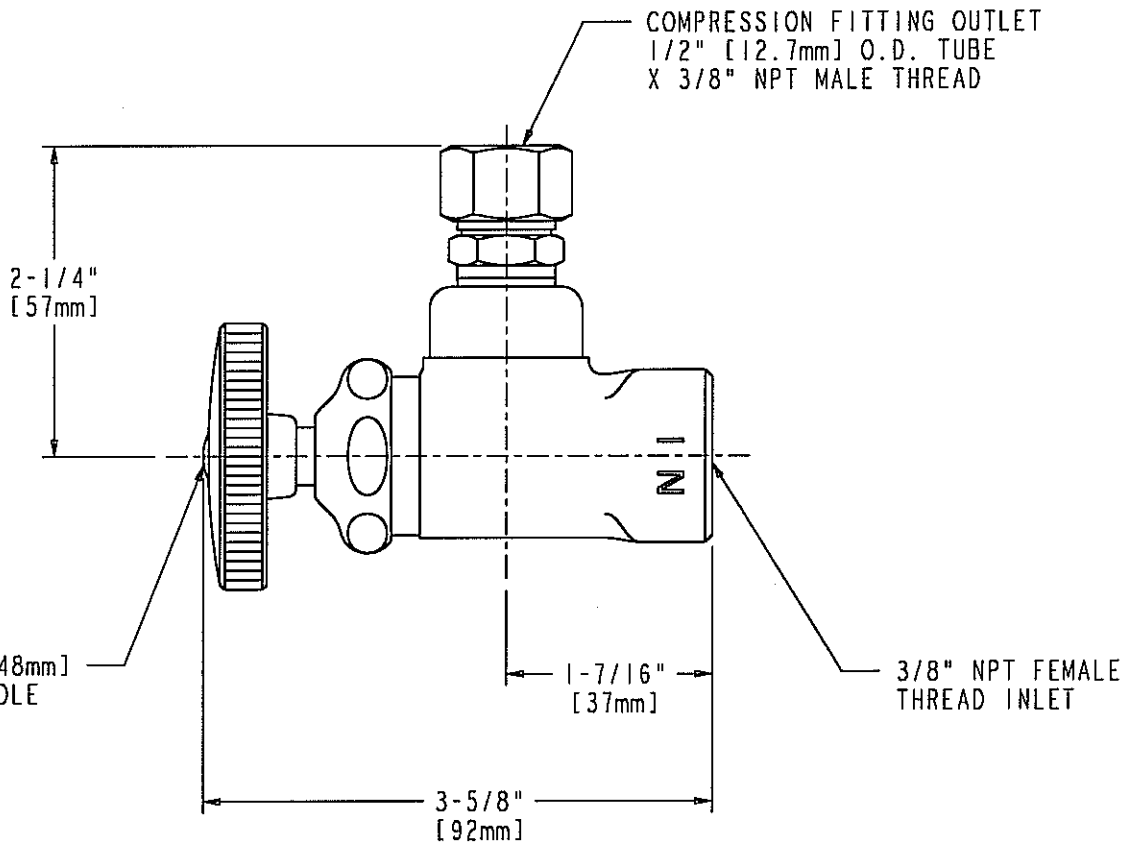
2100 SOUTH CLEARWATER DRIVE
DES PLAINES, ILLINOIS 60018-5999

FITTING NO.
992
SUBMITTED MODEL NO.

JOB NAME

ITEM NO.

SUBMITTED AS SHOWN	
SUBMITTED AS NOTED	
SEE ATTACHED FOR SUBMITTED MODIFICATION	



DIMENSIONS IN INCHES AND [MILLIMETERS].

TECHNICAL DATA	
<ul style="list-style-type: none"> - ANGLE VALVE - 318 WHEEL HANDLE - SLO-COMPRESSION UNIT - POLISHED CHROME FINISH 	<ul style="list-style-type: none"> - 3/8" NPT FEMALE THREAD INLET - 1/2" [12.7mm] O.D. COMP. OUTLET - ANSI A112.18.1 COMPLIANT - CSA B125 COMPLIANT

DATE: 08-04-97
BY: MGM
CHK'D: <i>[Signature]</i>
APP'D:
REV: 08-04-97

992