



2100 South Clearwater Drive
Des Plaines, IL 60018
Phone: 847-803-5000
Fax: 847-803-5454
www.chicagofaucets.com

REPAIR PARTS

FITTING NO.

1301-GN2BVBE7-909C

SUBMITTED MODEL NO.

BY: JAR

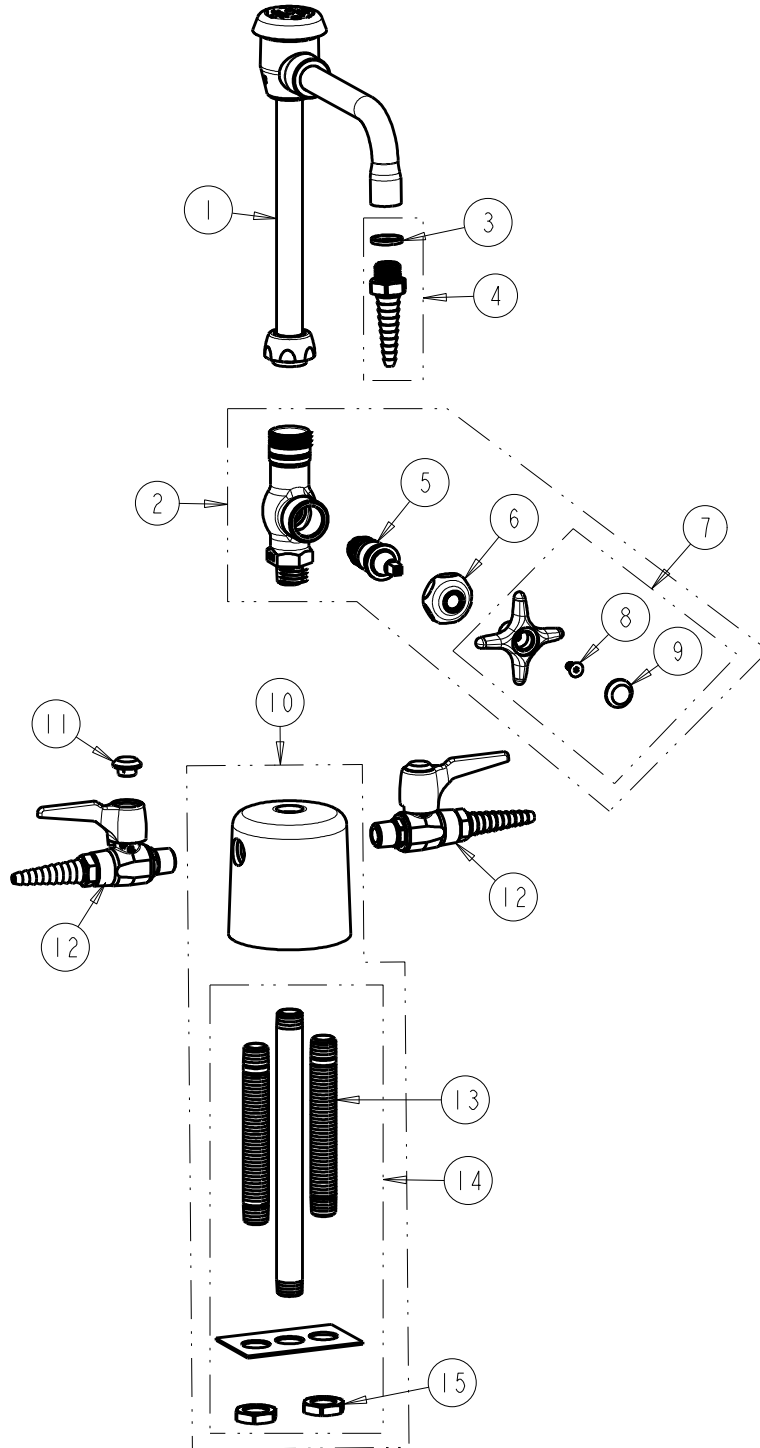
DATE: 05-01-09

CHK: *[Signature]*

REV: 06-23-14

ITEM NO.

FOR TECHNICAL ASSISTANCE
1-800-TEC-TRUE (1-800-832-8783)



ITEM	PART NO.	DESCRIPTION	ITEM	PART NO.	DESCRIPTION
1	GN2BVBJKABCP	SPOUT, VACUUM BREAKER	9	216-178JKNF	BUTTON 'CW'
2	937-225-5CP	WATER COCK	10	1301-SBJKCP	TURRET
3	229-003JKABNF	WASHER	11	216-328JKNF	BUTTON 'GAS'
4	E7JKCP	SERRATED HOSE NOZZLE	12	909-CLEB	BALL VALVE w/ CHECK VALVE
5	217-XTLHJKABNF	CARTRIDGE, SLO-COMPRESSION (LH)	13	957-003JKABRBF	MALE THREAD SHANK
6	1-214JKCP	CAP	14	1301-SB1KJKRBF	SHANK ASSEMBLY
7	204-CWJKCP	HANDLE ASSEMBLY (CW)	15	705-008JKRBF	NUT
8	420-020JKNF	SCREW, 1/8 FLAT HEX HEAD X 1/2			