

**CHICAGO FAUCETS** 

a Geberit company

2100 South Clearwater Drive  
Des Plaines, IL 60018  
Phone: 847-803-5000  
Fax: 847-803-5454  
www.chicagofaucets.com

**FOR TECHNICAL ASSISTANCE**  
1-800-TEC-TRUE (1-800-832-8783)

# REPAIR PARTS

BY: JAR DATE: 09-10-09

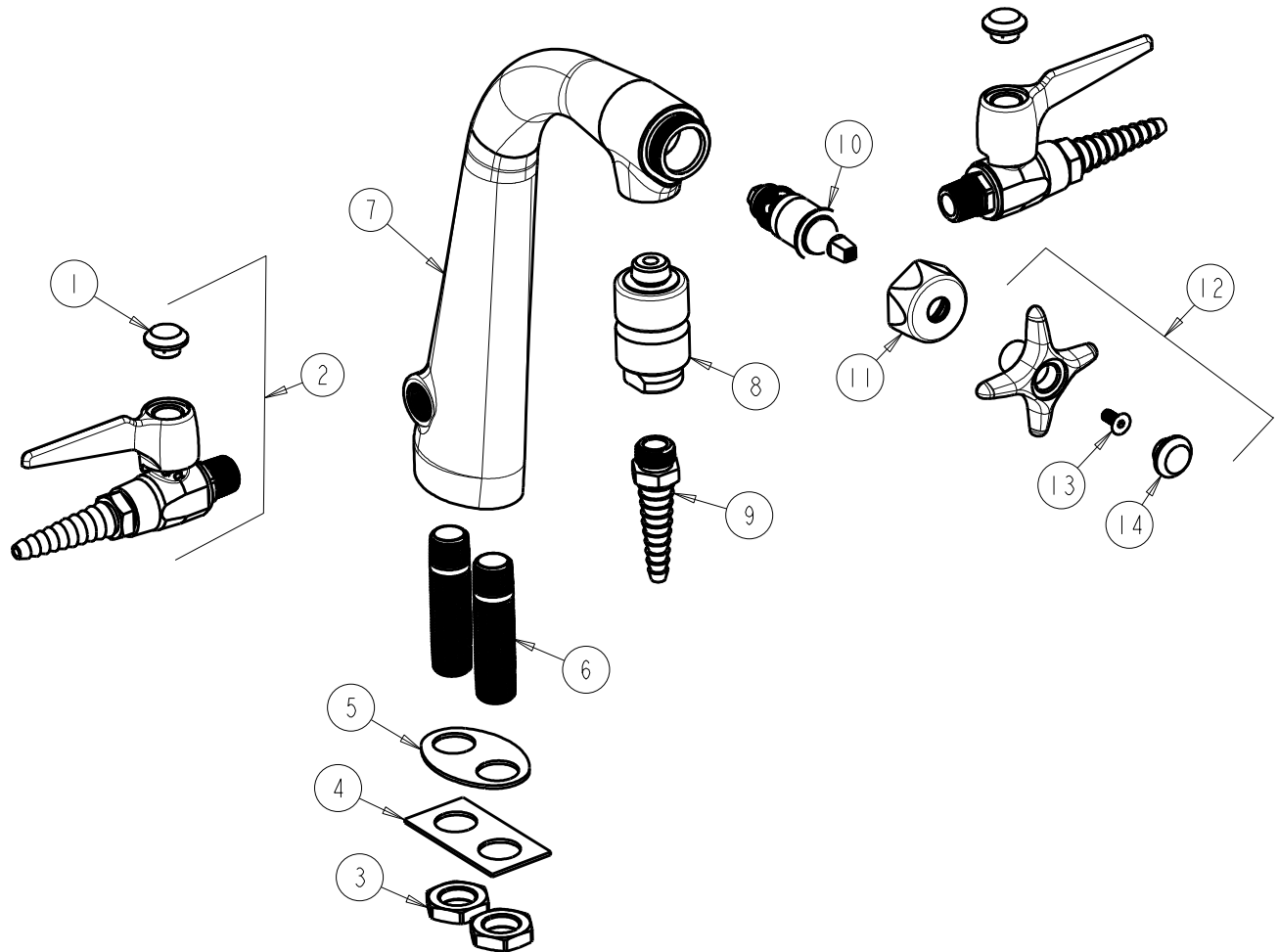
CHK: *JAR* REV: 03-15-16

FITTING NO.

1332-E22E7SAM

SUBMITTED MODEL NO.

ITEM NO.



ITEM	PART NO.	DESCRIPTION
1	216-328JKNF	BUTTON 'GAS'
2	909-CAGJKSAM	BALL VALVE w/ CHECK VALVE
3	705-008JKRBF	NUT
4	1332-002JKNF	PLATE
5	1332-003JKNF	GASKET
6	-----	MALE SHANK 2-5/8 X 3/8
7	-----	VALVE BODY (NOT SOLD SEPARATELY)
8	E22JKCP	VACUUM BREAKER
9	E7TJKSAM	SERRATED NOZZLE OUTLET 3/8 NPT
10	217-XTLHJKABNF	CARTRIDGE, SLO-COMPRESSION (LH)
11	444-005JKSAM	CAP
12	205-CWJKNF	PLASTIC HANDLE ASSEMBLY
13	420-020JKNF	SCREW, 1/8 FLAT HEX HEAD X 1/2
14	216-178JKNF	BUTTON 'CW'