

CHICAGO FAUCETS
a Geberit company

2100 South Clearwater Drive
Des Plaines, IL 60018
Phone: 847-803-5000
Fax: 847-803-5454
www.chicagofaucets.com

REPAIR PARTS

BY: SID DATE: 03-16-09
CHK: *[Signature]* REV:

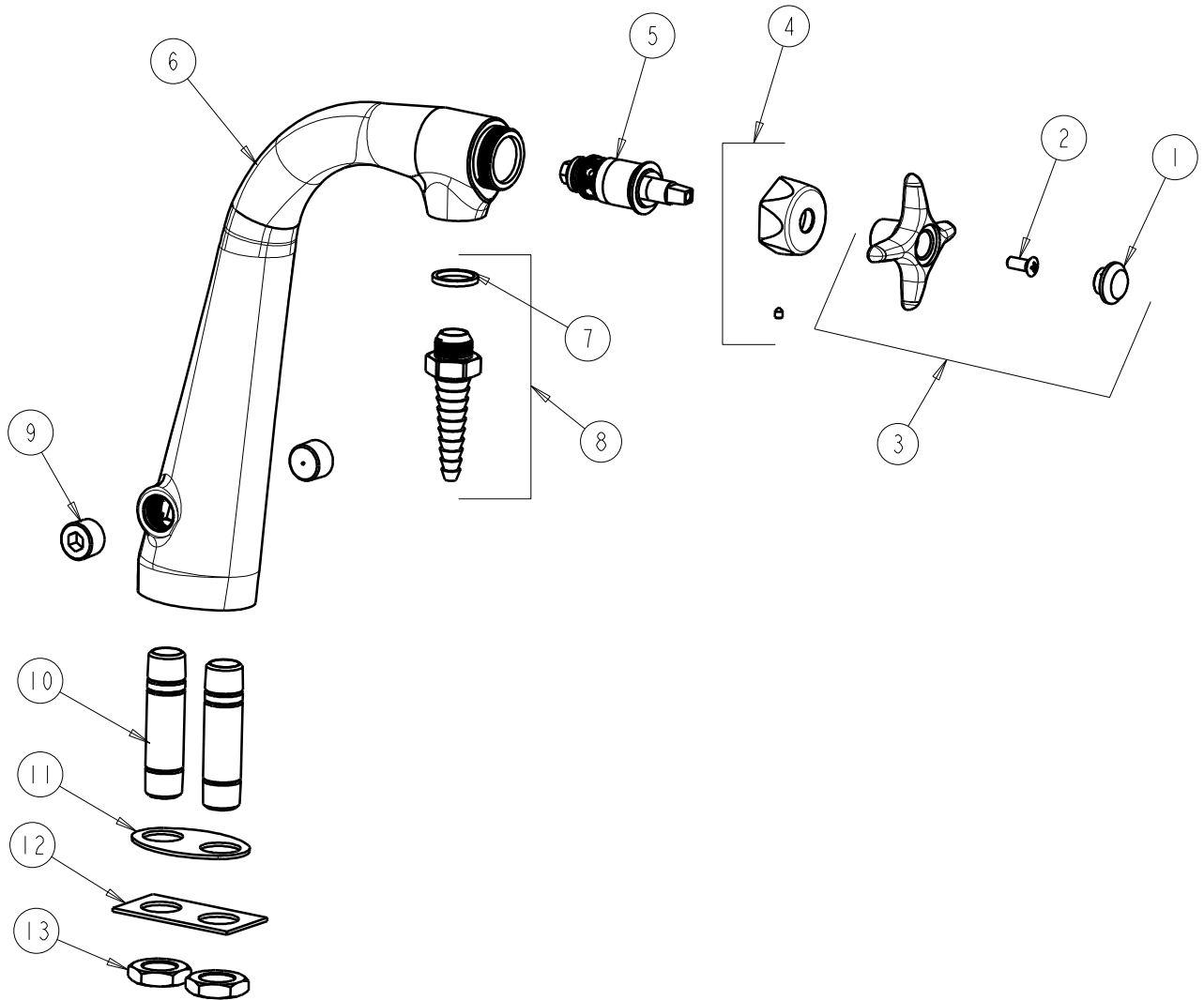
FITTING NO.

1334-CP

SUBMITTED MODEL NO.

ITEM NO.

FOR TECHNICAL ASSISTANCE
1-800-TEC-TRUE (1-800-832-8783)



ITEM	PART NO.	DESCRIPTION	ITEM	PART NO.	DESCRIPTION
1	216-178JKNF	BUTTON 'CW'	8	E7JKCP	SERRATED HOSE NOZZLE
2	420-010JKRCF	SCREW, 10-32 UNC PH 1/2	9	1332-004JKRCF	PLUG 3/8 NPT
3	205-CWJKNF	PLASTIC HANDLE ASSEMBLY	10	-----	MALE SHANK 2-5/8 X 3/8
4	444-105JKCP	VP CAP NUT WITH VR SCREW	11	1332-003JKNF	GASKET
5	217-XTLHJKNF	CARTRIDGE, SLO-COMPRESSION	12	1332-002JKNF	PLATE
6	-----	VALVE BODY (NOT SOLD SEPARATELY)	13	705-008JKRBF	NUT
7	229-003JKNF	WASHER			