

**CHICAGO FAUCETS**  
a Geberit company

2100 South Clearwater Drive  
Des Plaines, IL 60018  
Phone: 847-803-5000  
Fax: 847-803-5454  
www.chicagofaucets.com

**REPAIR PARTS**

FITTING NO.

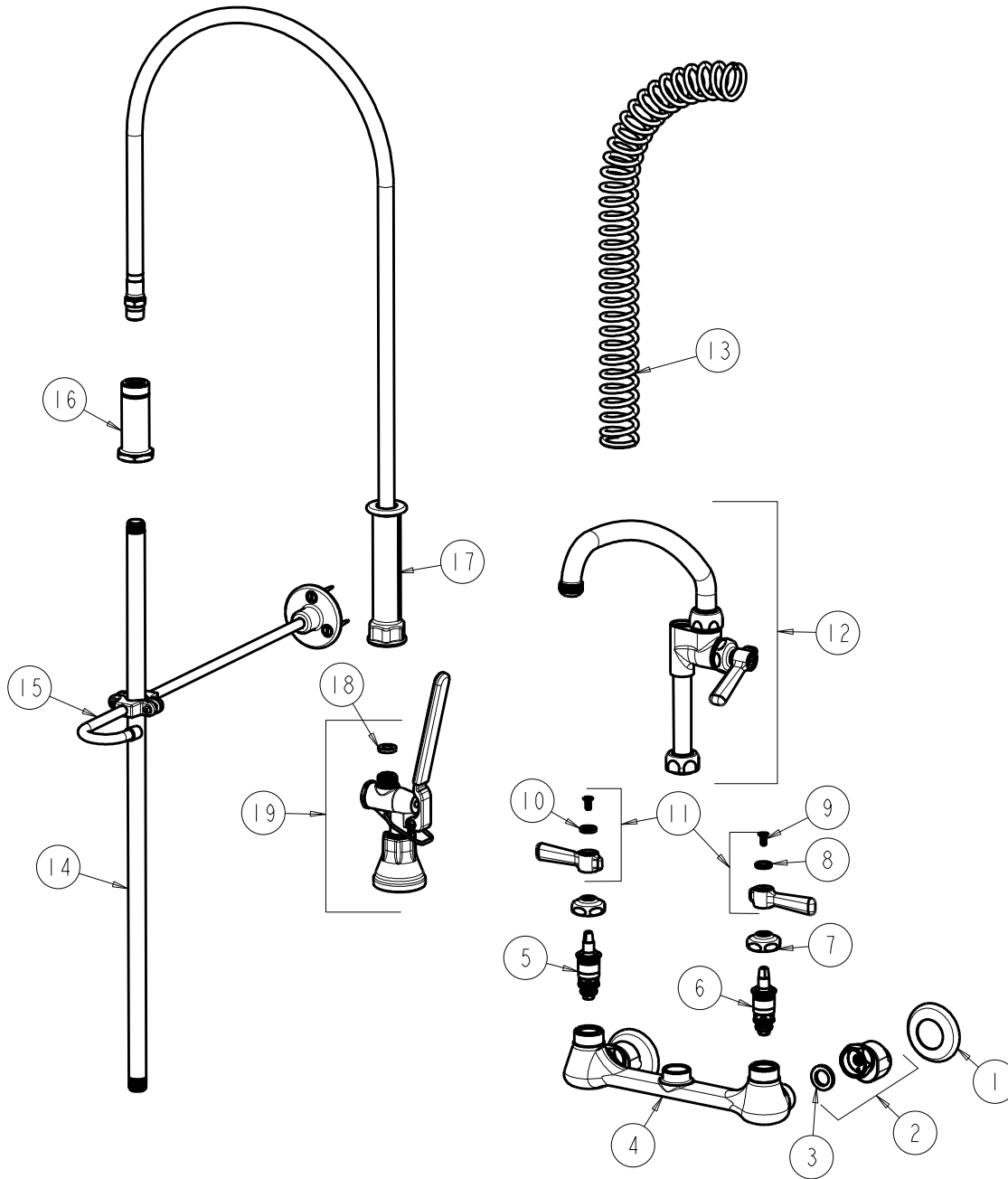
**510-GC613ALABCP**

SUBMITTED MODEL NO.

ITEM NO.

BY: SID DATE: 12-14-16  
CHK: *AR* REV:

**FOR TECHNICAL ASSISTANCE**  
1-800-TEC-TRUE (1-800-832-8783)



ITEM	PART NO.	DESCRIPTION	ITEM	PART NO.	DESCRIPTION
1	1-055JKCP	FLANGE	11	369-PRJKCP	HANDLE, 2-3/8 LEVER (PAIR)
2	GCJKABCP	ARM ASSEMBLY 'GC' WITH WASHER	12	613-AABCP	PRE-RINSE ADAPTA FITTING
3	1-011JKABNF	WASHER, .97 X .62 X .12	13	919-014JKCP	SPRING
4	-----	VALVE BODY	14	919-039JKABCP	3/8" NPT X 23" RISER
5	1-100XTJKABNF	QUATURN CARTRIDGE (LH)	15	902-MHJKCP	PIPE STRAP AND HOOK ASSEMBLY
6	1-099XTJKABNF	QUATURN CARTRIDGE (RH)	16	919-038JKABCP	GUIDE SHANK
7	1-214JKCP	CAP	17	83-44ABNF	44" HOSE AND HANDLE ASSEMBLY
8	633-123JKNF	INDEX BUTTON (BLUE)	18	919-243JKABNF	GASKET, .685 X .375 X .125
9	420-020JKNF	SCREW, 1/8 FLAT HEX HEAD X 1/2	19	90-LABCP	PRE-RINSE VALVE, LOW FLOW
10	633-023JKNF	INDEX BUTTON (RED)			