

CHICAGO FAUCETS

a Geberit company

2100 South Clearwater Drive
Des Plaines, IL 60018
Phone: 847-803-5000
Fax: 847-803-5454
www.chicagofaucets.com

REPAIR PARTS

BY: JAR DATE: 03-27-15
CHK: JAR REV:

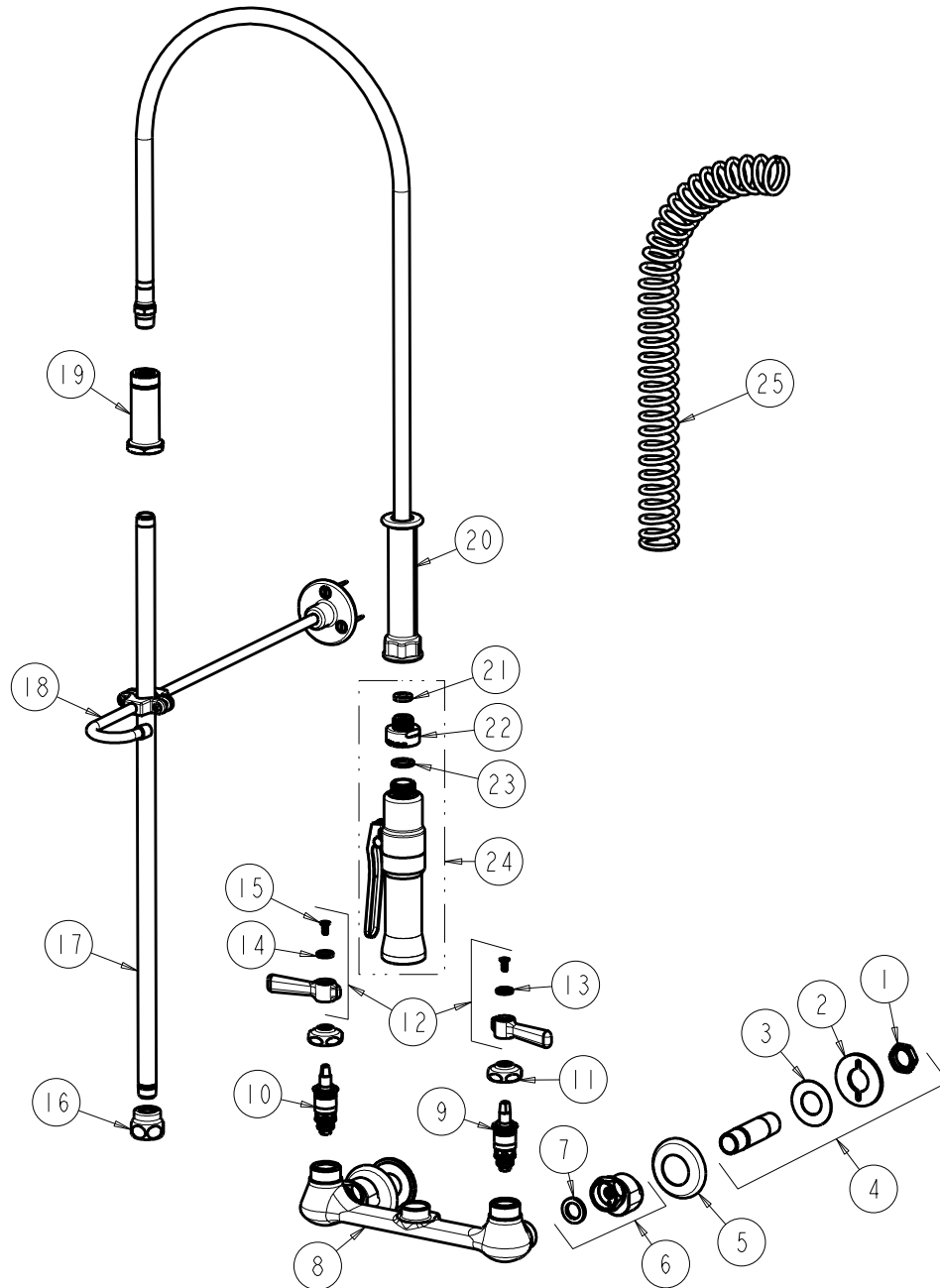
FITTING NO.

510-GCASWSLABCP

SUBMITTED MODEL NO.

ITEM NO.

FOR TECHNICAL ASSISTANCE
1-800-TEC-TRUE (1-800-832-8783)



ITEM	PART NO.	DESCRIPTION	ITEM	PART NO.	DESCRIPTION
1	49-004JKRBF	LOCKNUT	14	633-023JKNF	INDEX BUTTON (RED)
2	807-112JKNF	WASHER	15	420-020JKNF	SCREW, 1/8 FLAT HEX HEAD X 1/2
3	333-103JKNF	RUBBER WASHER	16	BA2JKABCP	ADAPTER 3/8 NPT X 1 1/16-18 UNEF
4	932-001KJKABRBF	INLET SHANK ASSEMBLY	17	919-039JKABCP	3/8" NPT X 23" RISER
5	1-055JKCP	FLANGE	18	902-MHJKCP	PIPE STRAP AND HOOK ASSEMBLY
6	GCJKABCP	ARM ASSEMBLY 'GC' WITH WASHER	19	919-038JKABCP	GUIDE SHANK
7	1-011JKABNF	WASHER, .97 X .62 X .12	20	83-44ABNF	44" HOSE AND HANDLE ASSEMBLY
8	----	VALVE BODY (NOT SOLD SEPARATELY)	21	919-243JKABNF	GASKET, .685 X .375 X .125
9	1-099XTJKABNF	QUATURN CARTRIDGE (RH)	22	919-046JKABRCF	ADAPTER, PRE-RINSE
10	1-100XTJKABNF	QUATURN CARTRIDGE (LH)	23	919-244JKABNF	GASKET, .825 X .590 X .072
11	1-214JKCP	CAP	24	99-ASAB	ADJUSTABLE SPRAY PRE-RINSE VALVE
12	369-PRJKCP	HANDLE, 2-3/8" LEVER (PAIR)	25	919-014JKCP	SPRING
13	633-123JKNF	INDEX BUTTON (BLUE)			