



a Geberit company

2100 South Clearwater Drive
Des Plaines, IL 60018
Phone: 847-803-5000
Fax: 847-803-5454
www.chicagofaucets.com

REPAIR PARTS

FITTING NO.

510-GCVB613AL12AB

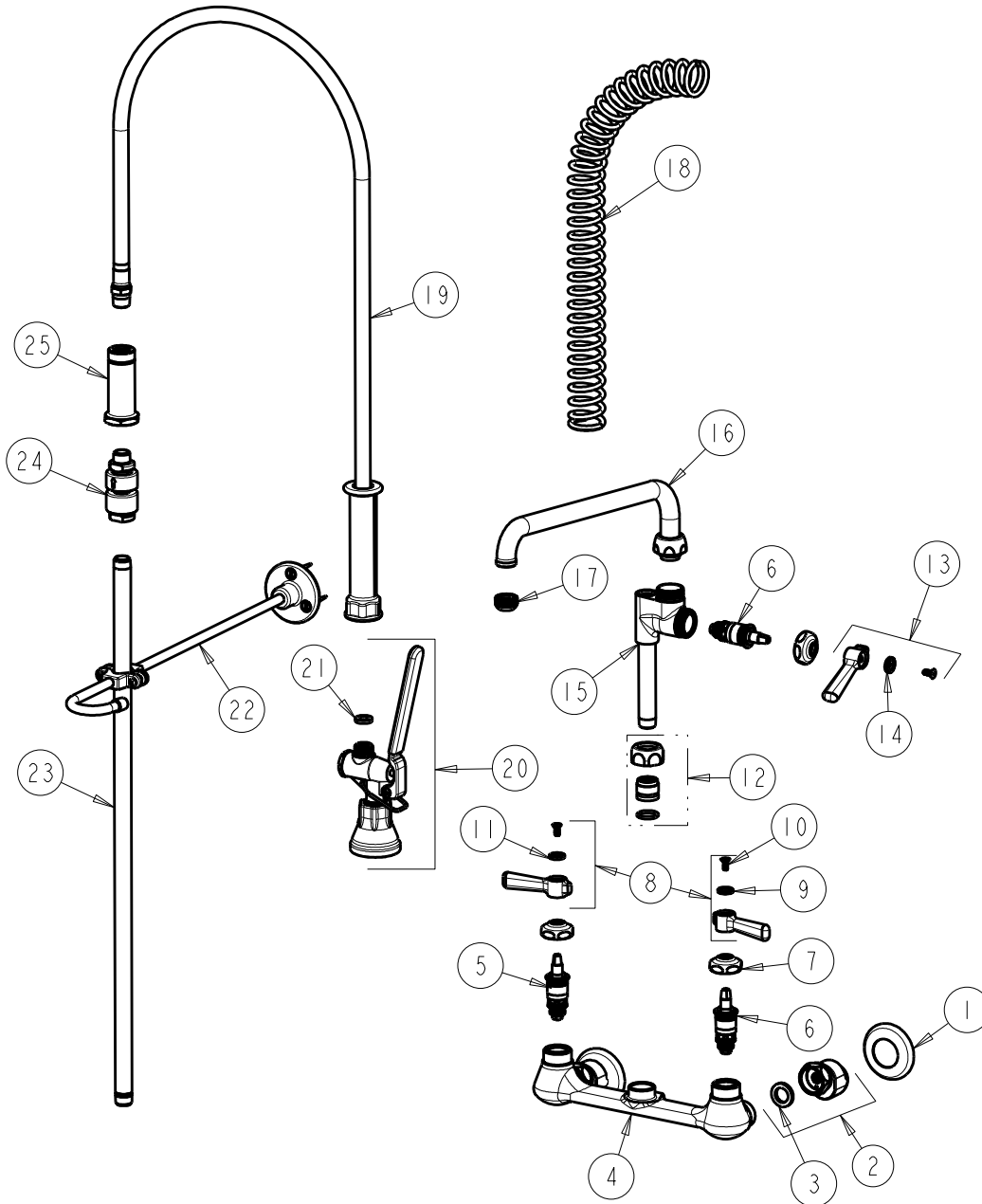
SUBMITTED MODEL NO.

BY: SID DATE: 07-28-14

CHK: *[Signature]* REV:

ITEM NO.

FOR TECHNICAL ASSISTANCE
1-800-TEC-TRUE (1-800-832-8783)



ITEM	PART NO.	DESCRIPTION	ITEM	PART NO.	DESCRIPTION
1	1-055JKCP	FLANGE	14	633-223JKNF	INDEX BUTTON (WHITE)
2	GCJKABCP	ARM ASSEMBLY 'GC' WITH WASHER	15	-----	VALVE BODY (NOT SOLD SEPARATELY)
3	1-011JKABNF	WASHER, .97 X .62 X .12	16	L12LEOJKAB	SPOUT, 12" C-C
4	-----	VALVE BODY (NOT SOLD SEPARATELY)	17	E1JKABRCF	OUTLET, QUIXTOP
5	1-100XTJKABNF	QUATURN CARTRIDGE (LH)	18	919-014JKCP	SPRING
6	1-099XTJKABNF	QUATURN CARTRIDGE (RH)	19	83-44ABNF	44" HOSE AND HANDLE ASSEMBLY
7	1-214JKCP	CAP	20	90-LABCP	PRE-RINSE VALVE, LOW FLOW
8	369-PRJKCP	HANDLE, 2-3/8" LEVER (PAIR)	21	919-243JKABNF	GASKET, .685 X .375 X .125
9	633-123JKNF	INDEX BUTTON (BLUE)	22	902-MHJKCP	PIPE STRAP AND HOOK ASSEMBLY
10	420-020JKNF	SCREW, 1/8 FLAT HEX HEAD X 1/2	23	919-039JKABCP	3/8" NPT X 23" RISER
11	633-023JKNF	INDEX BUTTON (RED)	24	E23JKABCP	BACK-FLOW PREVENTER
12	143-PPJKNF	PRE-PACK	25	919-038JKABCP	GUIDE SHANK
13	369-PLJKCP	PLAIN LEVER HANDLE			