



a Geberit company

2100 South Clearwater Drive
Des Plaines, IL 60018
Phone: 847-803-5000
Fax: 847-803-5454
www.chicagofaucets.com

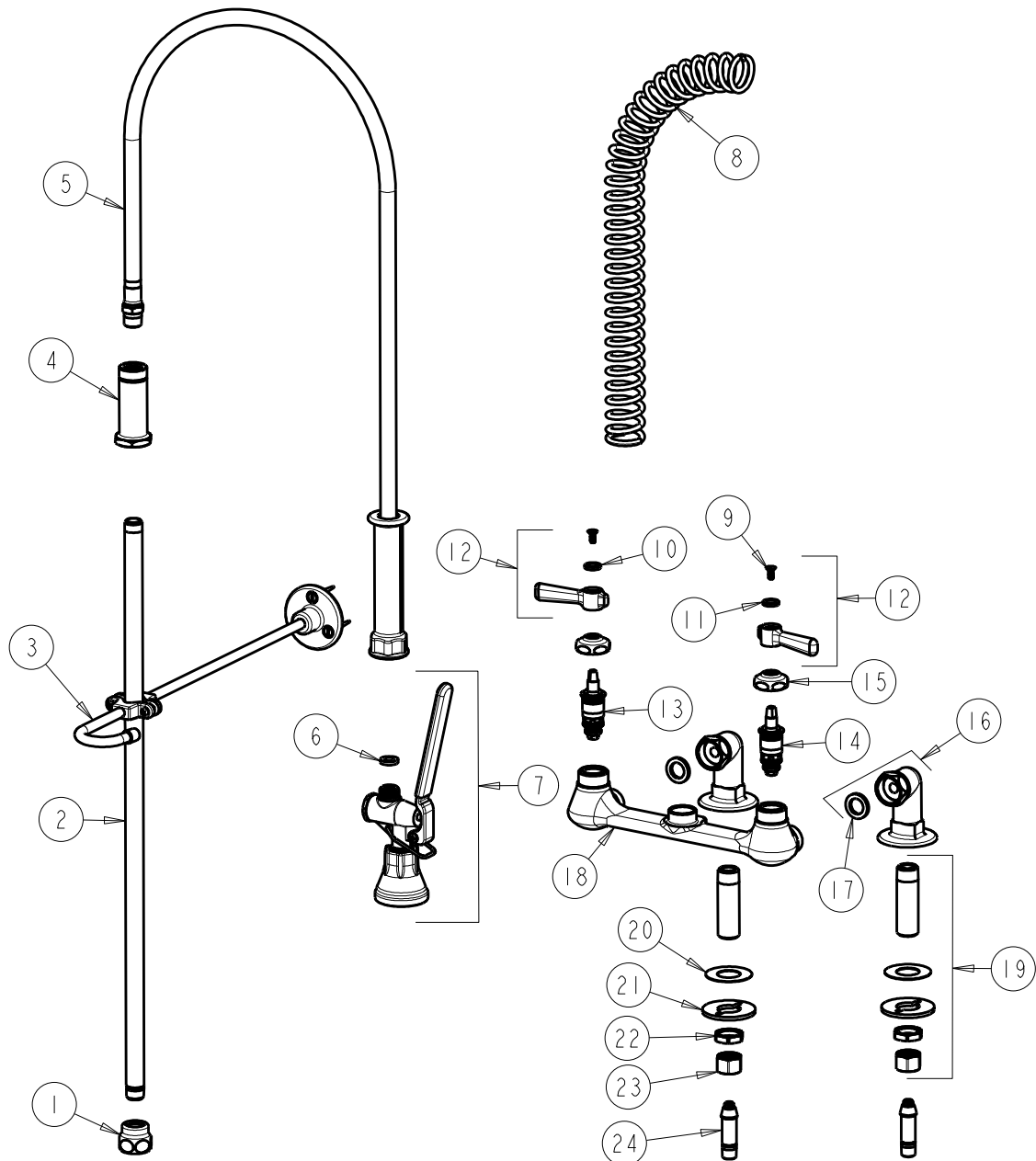
REPAIR PARTS

BY: JAR DATE: 01-24-13
CHK: *[Signature]* REV: 10-29-14

FITTING NO.
510-SSABCP
SUBMITTED MODEL NO.

ITEM NO.

FOR TECHNICAL ASSISTANCE
1-800-TEC-TRUE (1-800-832-8783)



ITEM	PART NO.	DESCRIPTION	ITEM	PART NO.	DESCRIPTION
1	BA2JKABCP	ADAPTER 3/8 NPT X 1 1/16-18 UNEF	13	1-100XTJKABNF	QUATURN CARTRIDGE (LH)
2	919-039JKABCP	3/8" NPT X 23" RISER	14	1-099XTJKABNF	QUATURN CARTRIDGE (RH)
3	902-MHJKCP	PIPE STRAP AND HOOK ASSEMBLY	15	1-214JKCP	CAP
4	919-038JKABCP	GUIDE SHANK	16	SSJKABCP	ANGLE SHANK ASEMBLY w/ WASHER
5	83-44ABNF	44" HOSE AND HANDLE ASSEMBLY	17	1-011JKABNF	WASHER, .97 X .62 X .12
6	919-243JKABNF	GASKET, .685 X .375 X .125	18	----	VALVE BODY (NOT SOLD SEPARATELY)
7	90-LABCP	PRE-RINSE VALVE, LOW FLOW	19	748-002KJKABRBF	SHANK ASSEMBLY
8	919-014JKCP	SPRING	20	333-103JKNF	RUBBER WASHER
9	420-020JKNF	SCREW, 1/8 FLAT HEX HEAD X 1/2	21	807-112JKNF	WASHER
10	633-023JKNF	INDEX BUTTON (RED)	22	49-004JKRBF	LOCKNUT
11	633-123JKNF	INDEX BUTTON (BLUE)	23	49-005JKRBF	COUPLING NUT
12	369-PRJKCP	HANDLE, 2-3/8" LEVER (PAIR)	24	58-018KJKABRBF	TAILPIECE