

CHICAGO FAUCETS
a Geberit company

2100 South Clearwater Drive
Des Plaines, IL 60018
Phone: 847-803-5000
Fax: 847-803-5454
www.chicagofaucets.com

REPAIR PARTS

FITTING NO.

995-ABCP

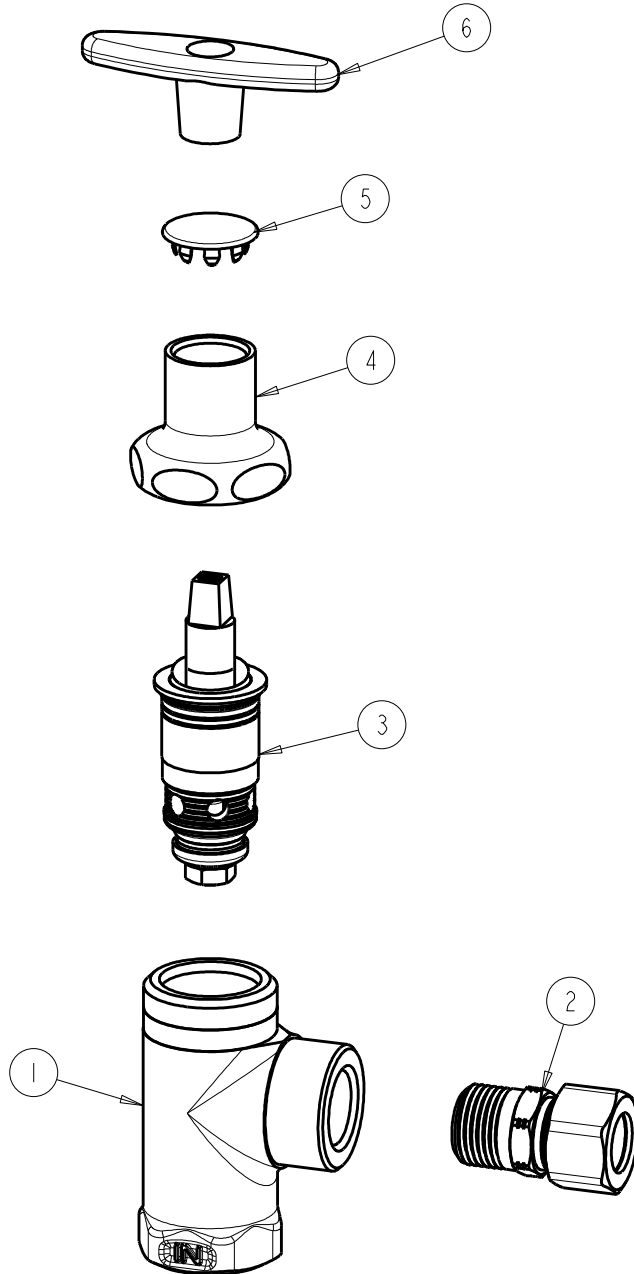
SUBMITTED MODEL NO.

ITEM NO.

BY: SID DATE: 10-21-11

CHK: *[Signature]* REV:

FOR TECHNICAL ASSISTANCE
1-800-TEC-TRUE (1-800-832-8783)



ITEM	PART NO.	DESCRIPTION
1	—	VALVE BODY (NOT SOLD SEPARATELY)
2	1022-006KJKABRCF	COMP. FITTING 1/2 TUBE X 3/8 NPT
3	217-XTLHJKABNF	CARTRIDGE, SLO-COMPRESSION
4	1-246JKCP	NUT, CAP LOOSE KEY 1-1/8-18 UNEF
5	1-144JKCP	BUTTON
6	293-006JKRCF	TEE HANDLE (INCLUDES SCREW)