

# Repair Parts

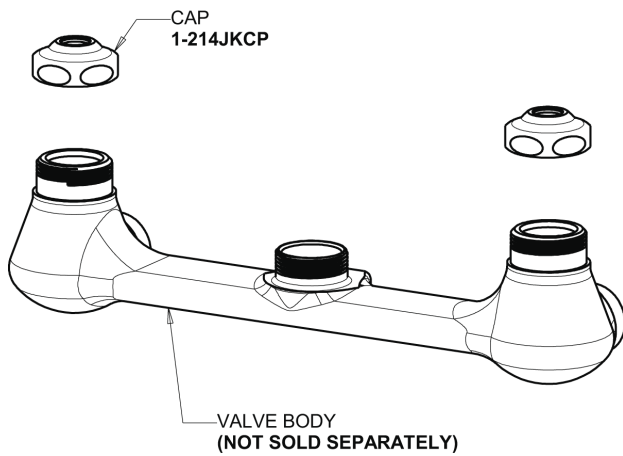
509-GVBL12XKCAB

Pre-Rinse Fitting with 613-A Adapta-Faucet

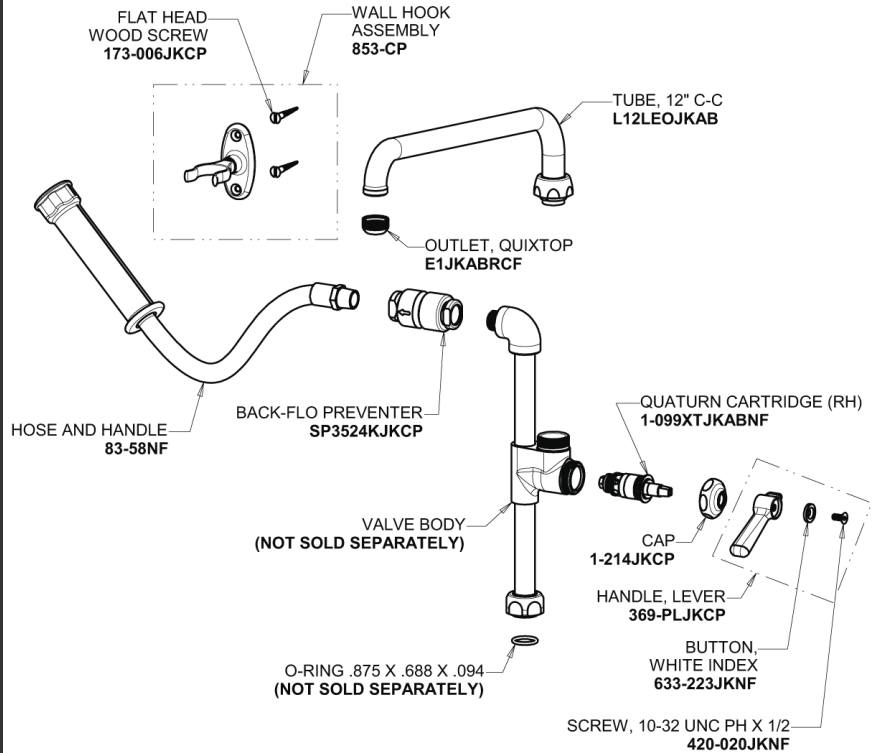
**CHICAGO  
FAUCETS**

a Geberit company

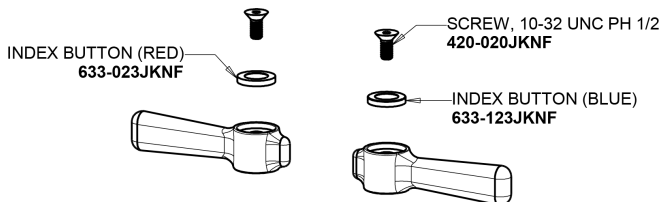
## Base Parts:



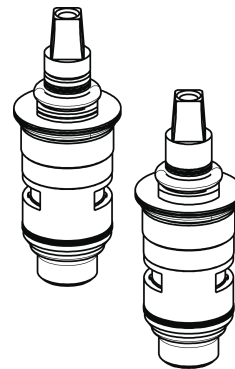
## Adapta-Faucet with Pre-Rinse Hose and Handle Includes spout and inline vacuum breaker



## 2-3/8" Lever Handle 369-PRJKCP



## Ceramic 1/4-Turn Cartridge with Check Valve (pair) 1-099XKCJKABNF (right) 1-100XKCJKABNF (left)



## For Technical Assistance:

Phone: 800-TEC-TRUE (832-8783)

Email: [techsupport.us@chicago faucets.com](mailto:techsupport.us@chicago faucets.com)

2100 South Clearwater Drive

Des Plaines, IL 60018

Phone: 847-803-5000

[chicago faucets.com](http://chicago faucets.com)

# Repair Parts

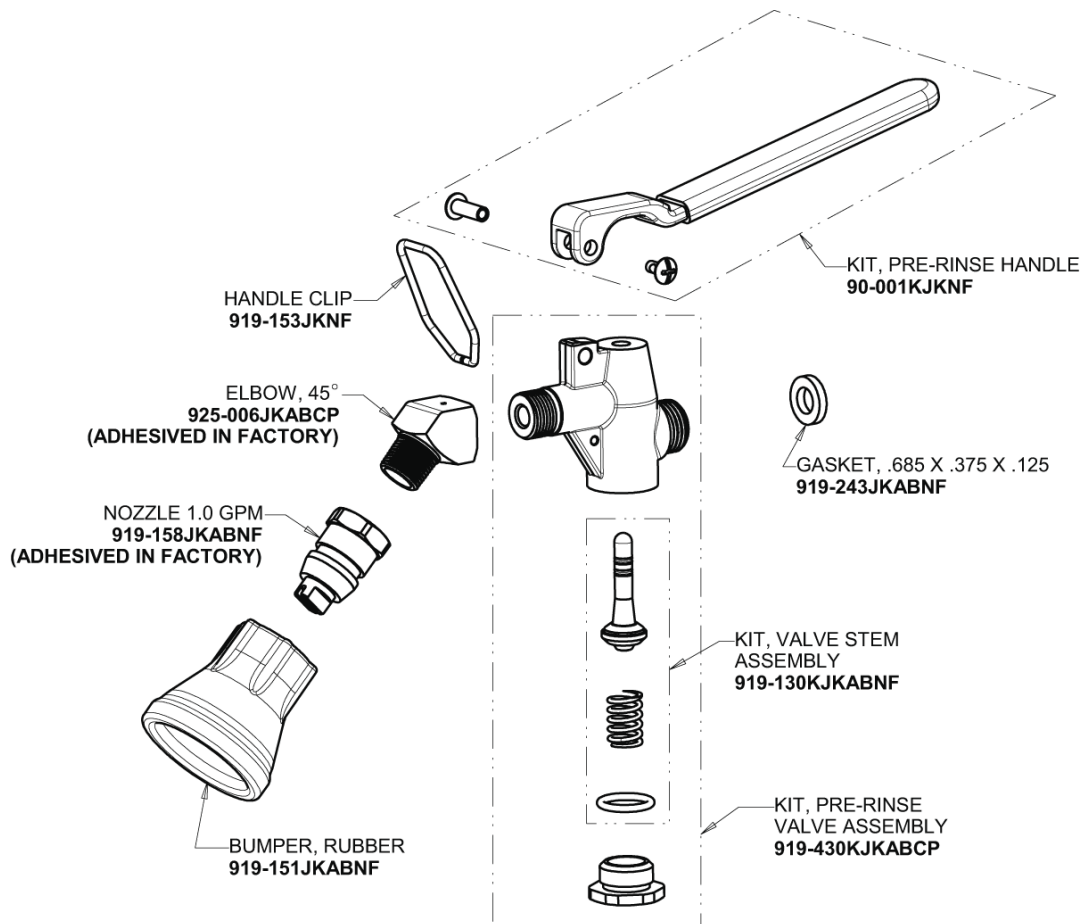
509-GVBL12XKCAB

Pre-Rinse Fitting with 613-A Adapta-Faucet

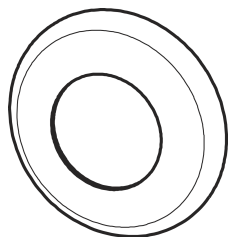
**CHICAGO  
FAUCETS** 

a Geberit company

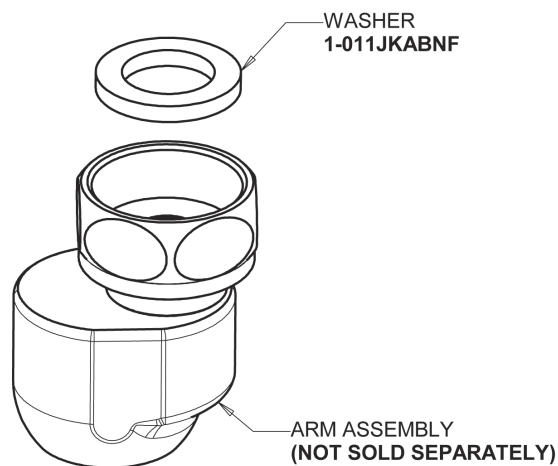
Pre-Rinse Spray Valve  
**90-ANGABCP**



Wall Flange  
**1-055JKCP**



3/8" Offset Inlet Supply Arm  
**GJKABCP**



## For Technical Assistance:

Phone: 800-TEC-TRUE (832-8783)

Email: [techsupport.us@chicagofaucets.com](mailto:techsupport.us@chicagofaucets.com)

2100 South Clearwater Drive

Des Plaines, IL 60018

Phone: 847-803-5000

[chicagofaucets.com](http://chicagofaucets.com)