

# MECHANICAL FAUCETS

## 1907-TKCP

### Tub and Shower Fittings



PRELIMINARY DRAFT

#### Product Type

Wall Mounted Trim Kits Tub and Shower Trim Kit with Shower Head

#### Features & Specifications

- Trim Kits
- 2.5 GPM Max. Flow Rate @ 80 PSI Shower Head with Arm and Wall Flange
- Valve Trim Included

#### Warranty

- Lifetime Limited Faucet Warranty
- 5-Year Limited Cartridge Warranty
- 1-Year Limited Finish Warranty

**NOTE: This fitting is not intended to be sold in California after July 1, 2018**

Job Name \_\_\_\_\_

Item Number \_\_\_\_\_

Section/Tag \_\_\_\_\_

Model Specified \_\_\_\_\_

Architect \_\_\_\_\_

Engineer \_\_\_\_\_

Contractor \_\_\_\_\_

Submitted as Shown       Submitted with Variations

Date \_\_\_\_\_

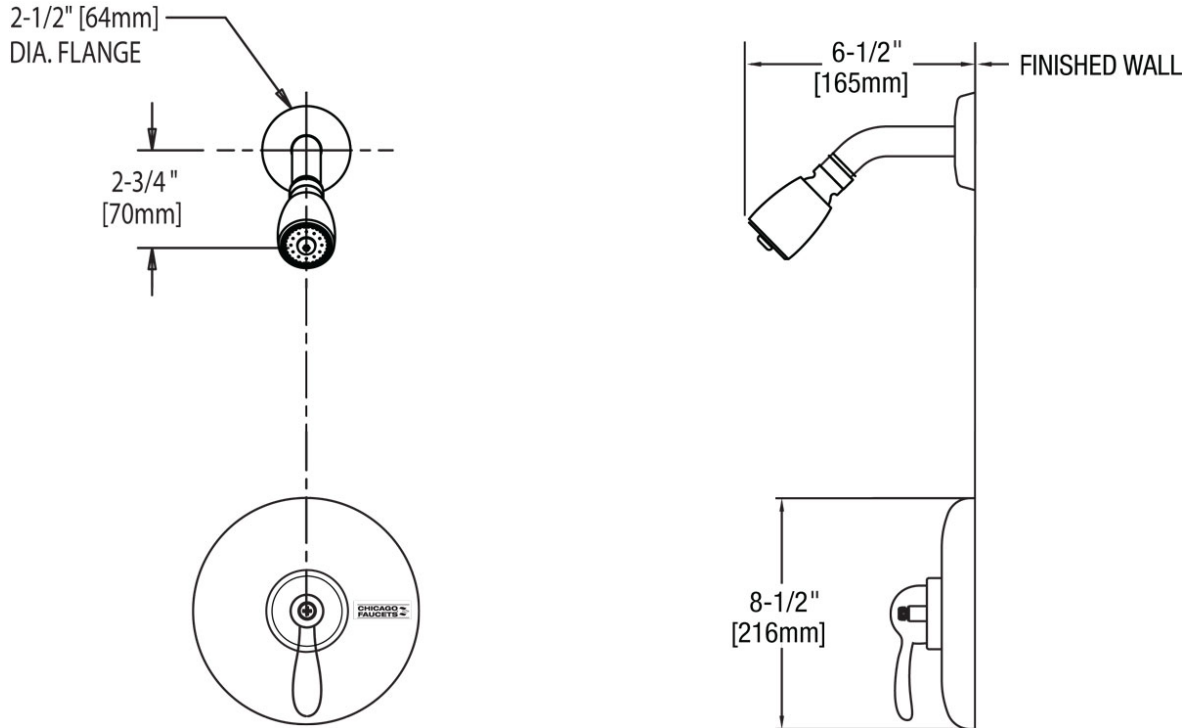


2100 South Clearwater Drive  
Des Plaines, IL  
P: 847/803-5000  
F: 847/803-5454  
Technical: 800/TEC-TRUE  
www.chicagofaucets.com

PRELIMINARY DRAFT

### Architect/Engineer Specification

Chicago Faucets No. 1907-TKCP, Trim Kit for Tub and Shower Valve, pressure balancing, wall-mounted, with shower head. Chrome plated. Shower head with arm and wall flange, 2.5 GPM max. flow rate @ 80 PSI. Valve trim included.



### Operation and Maintenance

Installation should be in accordance with local plumbing codes. Flush all pipes thoroughly before installation. After installation, remove spout outlet or flow control and flush faucet thoroughly to clear any debris. Care should be taken when cleaning the product. Do not use abrasive cleaners, chemicals or solvents as they can result in surface damage. Use mild soap and warm water for cleaning and protecting the life of Chicago Faucet products. For specific operation and maintenance refer to the installation instructions and repair parts documents that are located at [www.chicagofaucets.com](http://www.chicagofaucets.com).

Chicago Faucets, member of the Geberit Group, is the leading brand of commercial faucets and fittings in the United States, offering a complete range of products for schools, laboratories, hospitals, office buildings, food service, airports and sport facilities. Call 1.800.TECTRUE or 1.847.803.5000 Option 1 for installation or other technical assistance.

